

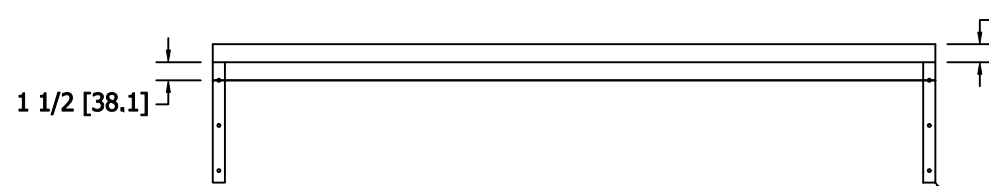
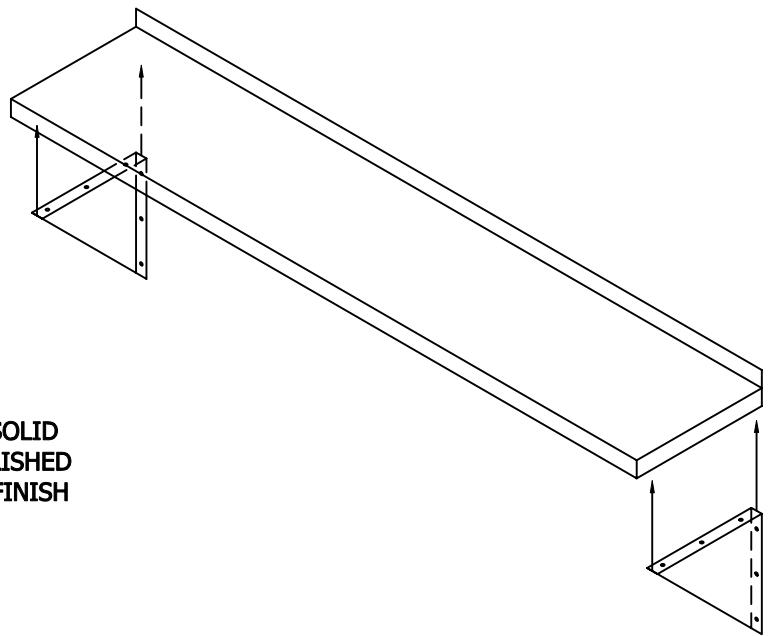
18 GA. [1.2] 430 #4
S/S CONSTRUCTION

60 [1524]

12 [304.8]

PLAN VIEW

CORNERS TO BE SOLID
WELDED AND POLISHED
TO A MATCHING FINISH



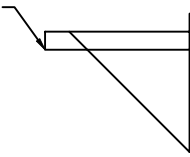
1 1/2 [38.1]

1 1/2 [38.1]

FRONT ELEVATION

2 EACH EWMS-12-BRACKETS
BRACKETS TO SHIP LOOSE

ALL RAW EDGES TO BE
GROUND SMOOTH AND
BE FREE FROM SHARP
EDGES AND BURRS



END VIEW