



www.falconequipment.com
 879 South 4400 West
 Salt Lake City, UT 84104
 Phone: 888.987.7894

3 COMPARTMENT SINKS


FEATURES & CONSTRUCTION:

MATERIAL:


- Top is fabricated with 1-1/2" rounded edge on working sides and 10-1/2" high backsplash
- All exposed welded areas smooth polished to brush finish sanitary #4.
- Welded stainless steel leg socket for removable legs.

Top & Bowls: 18 Ga. stainless steel - 304


Leg set: 1 5/8" galvanized steel tubing, Stainless steel leg socket, 1" adjustable plastic bullet feet.

	MODEL#	UNIT SIZE			BOWL SIZE			DRAINBOARD	
		L	D	H	A	B	C	LEFT	RIGHT
	E3C-10X14-0	36"	20"	45"	10"	14"	11"	Ø	Ø
	E3C-16X20-0	53.5"	26"		16"	20"			
	E3C-18X18-0	59"	23.5"		18"	18"			
	E3C-24X24-0						14"		


NSF Certified

	MODEL#	UNIT SIZE			BOWL SIZE			DRAINBOARD	
		L	D	H	A	B	C	LEFT	RIGHT
	E3C-10X14-L-15	47.5"	19.5"	45"	10"	14"	11"	15"	Ø
	E3C-16X20-L-18	69"	26"		16"	20"		18"	
	E3C-18X18-L-18	74.5"	23.5"		18"	18"	18"		
	E3C-24X24-L-24	98.5"	29.5"		24"	24"	24"		

45° Slanted Backsplash
 Reinforced With Hemmed Edge

	MODEL#	UNIT SIZE			BOWL SIZE			DRAINBOARD	
		L	D	H	A	B	C	LEFT	RIGHT
	E3C-10X14-R-15	47.5"	19.5"	45"	10"	14"	11"	Ø	15"
	E3C-16X20-R-18	69"	26"		16"	20"			18"
	E3C-18X18-R-18	74.5"	23.5"		18"	18"	18"		
	E3C-24X24-R-24	98.5"	29.5"		24"	24"	24"		

Rolled Rim Edge
 Front And Two Sides

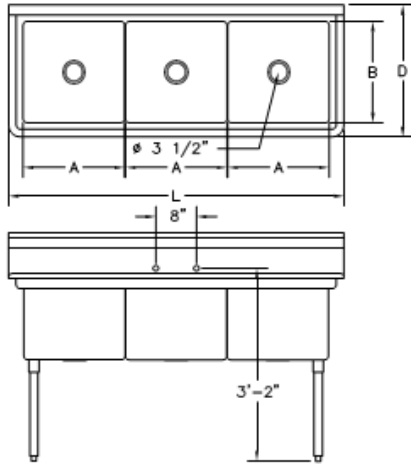
	MODEL#	UNIT SIZE			BOWL SIZE			DRAINBOARD	
		L	D	H	A	B	C	LEFT	RIGHT
	E3C-10X14-2-15	60"	19.5"	45"	10"	14"	11"	15"	15"
	E3C-16X20-2-18	84"	26"		16"	20"		18"	18"
	E3C-18X18-2-18	90"	23.5"		18"	18"	18"	18"	
	E3C-24X24-2-24	120"	29.5"		24"	24"	24"	24"	

Plastic Bullet Feet
 1" Adjustable

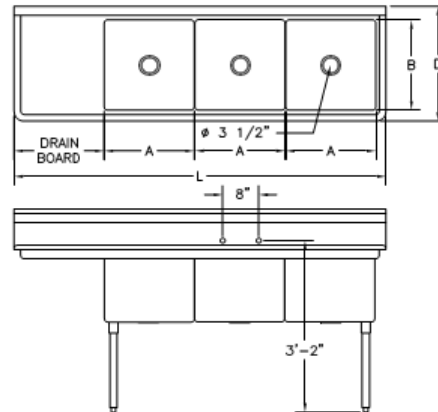


3 COMPARTMENT SINKS

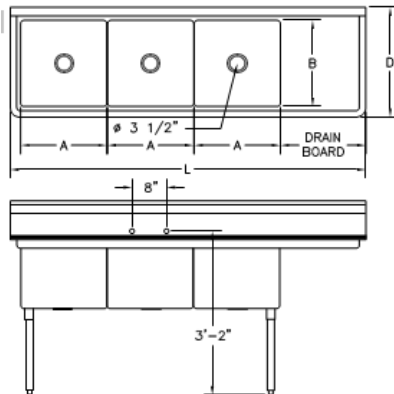
NO DRAIN BOARD



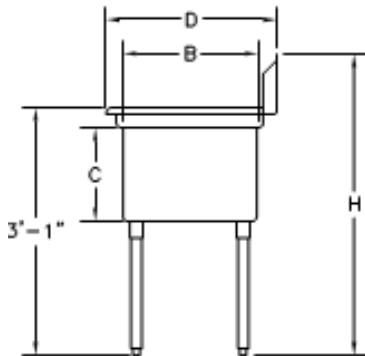
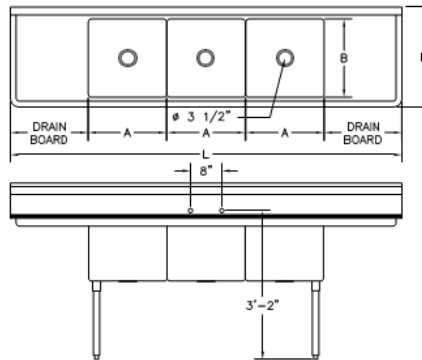
DRAIN BOARD: LEFT



DRAIN BOARD: RIGHT



DRAIN BOARD: L & R



Common End View

FALCON EQUIPMENT
www.falconequipment.com
 888.987.7894