



"WE MAKE THE KITCHEN BETTER!"

ATOSA USA, INC.

Toll Free: 855-855-0399 Email: info@atosausa.com

www.atosa.com | www.atosausa.com

California, Colorado, Florida, Georgia, Illinois, New Jersey, Ohio, Texas, Washington

# Standard Top Sandwich Prep Tables

## Standard Features

- Stainless steel exterior & interior
- Rear mount compressor with environmentally friendly R290 refrigerant
- Dixell digital controller
- Maintains temperatures between 33°F - 40°F
- Pre-installed 4" deep stainless steel pans
- 10" cutting board
- Recessed door handle(s)
- Self-closing door(s) with stay open feature
- Magnetic door gasket(s) standard for positive door seal
- One(1) pre-installed shelf per section
- Pre-installed casters

## Optional Accessories

- Double overshelf for 48", 60" and 72" models
- Overshelf weight capacity: MROS-2RE: 150lbs, MROS-3RE: 170lbs, MROS-4RE: 200lbs, MROS-5RE: 230lbs, MROS-6RE: 250lbs



For the best results of food preservation we recommend setting your refrigerator between 33°F to 38 °F

1. Don't forget to leave the unit some room to breathe!
2. Please clean the condenser frequently to give the unit more fresh air.



2 YEAR PARTS AND LABOR WARRANTY  
5 YEAR COMPRESSOR PART WARRANTY

## MODELS:

MSF8301GR / MSF3610GR  
MSF8302GR / MSF8303GR / MSF8304GR



MSF8301GR



MSF3610GR



MSF8302GR



MSF8303GR



MSF8304GR





**"WE MAKE THE KITCHEN BETTER!"**

**ATOSA USA, INC.**

**Toll Free: 855-855-0399 Email: info@atosausa.com**

www.atosa.com | www.atosausa.com

California, Colorado, Florida, Georgia, Illinois,

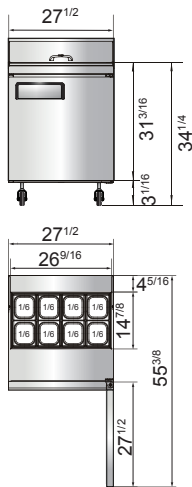
New Jersey, Ohio, Texas, Washington

**SPECIFICATIONS**

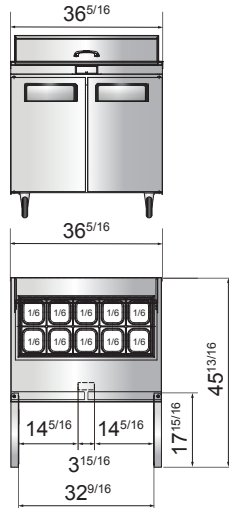
Models	Door	Capacity (Cu.Ft.)	Shelves	Casters (inch)	Amps (A)	Voltage (V/Hz/Ph)	HP	Refrigerant	Exterior Dimensions (inch)	Net Weight (lbs)	Gross Weight (lbs)
MSF8301GR	1	7.2	1	3	2.3	115/60/1	1/7	R290	27 <sup>1/2</sup> ×30×41 <sup>3/8</sup>	159	196
MSF3610GR	2	8.7	2	3	2.3	115/60/1	1/7	R290	36 <sup>5/16</sup> ×30×41 <sup>3/8</sup>	173	227
MSF8302GR	2	13.4	2	3	2.3	115/60/1	1/7	R290	48 <sup>1/5</sup> ×30×41 <sup>3/8</sup>	231	276
MSF8303GR	2	17.2	2	3	2.8	115/60/1	1/5	R290	60 <sup>1/5</sup> ×30×41 <sup>3/8</sup>	271	320
MSF8304GR	3	21.1	3	3	2.8	115/60/1	1/5	R290	72 <sup>7/10</sup> ×30×41 <sup>3/8</sup>	317	379

**PLAN VIEW**

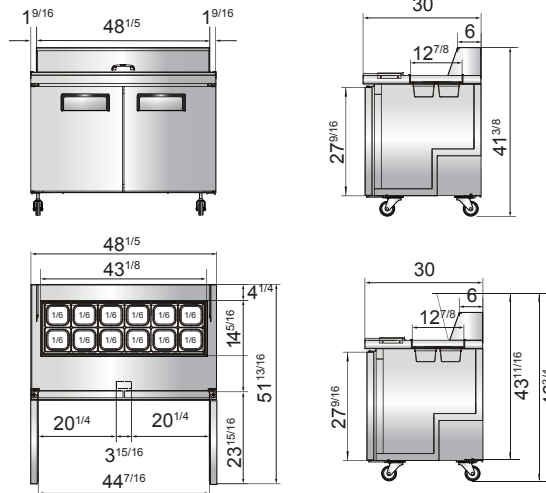
**MSF8301GR**



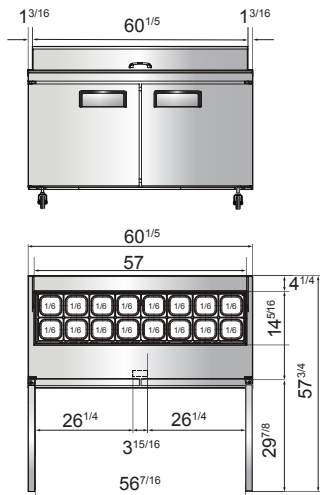
**MSF3610GR**



**MSF8302GR**



**MSF8303GR**



**MSF8304GR**

