



"WE MAKE THE KITCHEN BETTER!"

Toll Free: 855-855-0399 Email: info@atosausa.com
www.atosa.com | www.atosausa.com
California, Colorado, Florida, Georgia, Illinois,
New Jersey, Ohio, Texas, Washington

800 lb. Ice Machine

MODELS:
YR800-AP-261

Standard Features

- Up to 810 lb. production ice machine (per 24 hrs)
- Durable stainless steel exterior
- Air cooled condenser
- Requires use of a drain
- ETL Listed and ETL Sanitation Listed
- Removable air filter
- Power switch accessible without panel removal
- Optional Ice Bin #CYR400P & #CYR700P available for purchase
- Ice machine includes a 3M water filter system Model #ICE140-S
- Ice dimension: 3/8" x 7/8" x 7/8"



Water filter recommended - maintenance and cleaning are not covered under warranty

All Atosa Ice machines should have the included 3M water filter system & cartridge installed. Recommended 3M cartridge replacement is recommended every 6months. (may vary based on water quality)

Optional bin #CYR400P

Optional bin #CYR700P



Half-diced cube

Inlet hose

Drain hose



1. Don't forget to leave the unit some room to breathe!
2. Please clean the condenser frequently to give the unit more fresh air.



2 YEAR PARTS AND LABOR WARRANTY (US ONLY)
5 YEAR COMPRESSOR PART WARRANTY (US ONLY)



For confirmation and updates on the latest energy star models, please visit energystar.gov



"WE MAKE THE KITCHEN BETTER!"

Toll Free: 855-855-0399 Email: info@atosausa.com
 www.atosa.com | www.atosausa.com
 California, Colorado, Florida, Georgia, Illinois,
 Massachusetts, New Jersey, Ohio, Texas, Washington

SPECIFICATIONS

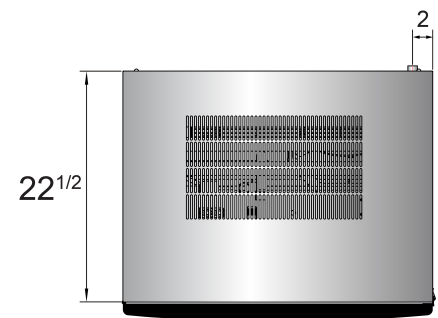
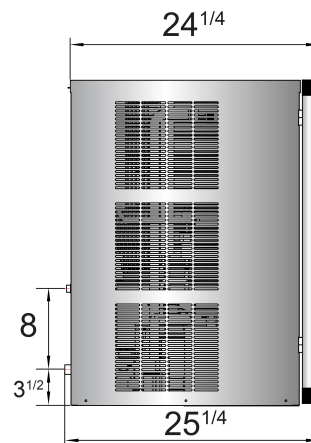
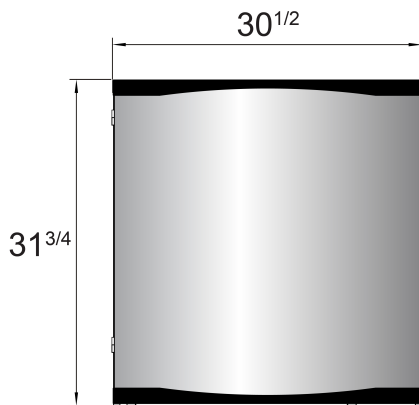
Model	Type	Refrigerant	Voltage (V/Hz/Ph)	Amps(A)	Watts(W)	kWh/100 lbs Ice	Ice-Making Capacity (lbs/hr)	Leg (inch)	Exterior Dimensions (inch)	Gross Weight (lbs)
YR800-AP-261	Cube ice	R-404a	208-240/60/1	7.5	1750	5.18	810/24	6	30 ^{1/5} ×24 ^{9/20} ×31 ^{7/10}	231

PLAN VIEW

Front View

Side View

Top View



Ice Storage Bin

Ice machine comparison

Models	Type	Refrigerant	Voltage (V/Hz/Ph)	Amps(A)	Watts(W)	kWh/100 lbs Ice	Ice-Making Capacity (lbs/hr)	Leg (inch)	Exterior Dimensions (inch)	Gross Weight (lbs)
YR140-AP-161	Cube ice	R290	115/60/1	3.1	363	6.13	142/24	6	23 ^{1/2} ×28 ^{1/2} ×38 ^{3/5}	176
YR280-AP-161	Cube ice	R290	115/60/1	7.2	704	5.97	283/24	6	23 ^{1/2} ×28 ^{1/2} ×38 ^{3/5}	187
YR450-AP-161	Cube ice	R290	115/60/1	9.6	965	5.04	460/24	6	30 ^{1/5} ×24 ^{9/20} ×21 ^{7/10}	158

