



**“WE MAKE THE KITCHEN BETTER!”**

Toll Free: 855-855-0399 Email: info@atosausa.com  
www.atosa.com | www.atosausa.com  
California, Colorado, Florida, Georgia, Illinois,  
New Jersey, Ohio, Texas, Washington

**MODELS:**  
RDCS-35 / RDCS-48 / RDCS-60

# Floor Model Refrigerated Square Display Cases

## Standard Features

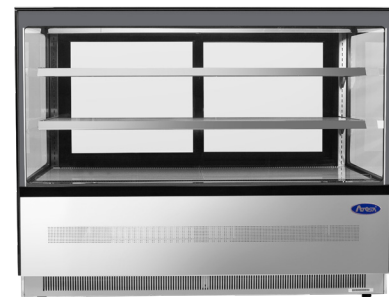
- Stainless steel exterior & interior
- Full electronic digital controller
- Two (2) stainless steel adjustable shelves standard
- LED interior lighting on each shelf and top of cabinet
- Double pane tempered glass with front defog feature
- Rear mount compressor with environmentally friendly R-290 refrigerant
- Maintains temperatures between 33 °F - 38 °F
- 2” casters standard
- Magnetic door gasket(s) standard for a positive door seal
- Two (2) rear sliding doors
- NEMA 5-15P plug standard
- Optional extended parts and labor warranty up to 5 years



**RDCS-35**



**RDCS-48**



**RDCS-60**

For the best results of food preservation we recommend setting your refrigerator between 33 °F to 38 °F

1. Don't forget to leave the unit some room to breathe!
2. Please clean the condenser frequently to give the unit more fresh air.



2 YEAR PARTS AND LABOR WARRANTY (US ONLY)  
5 YEAR COMPRESSOR PART WARRANTY (US ONLY)





**"WE MAKE THE KITCHEN BETTER!"**

Toll Free: 855-855-0399 Email: info@atosausa.com

www.atosa.com | www.atosausa.com

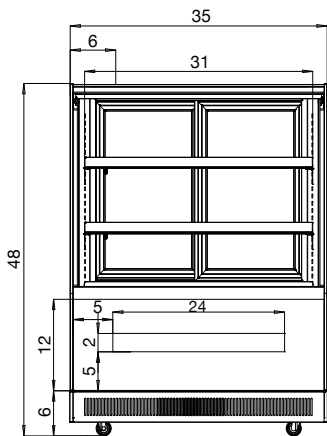
California, Colorado, Florida, Georgia, Illinois,  
New Jersey, Ohio, Texas, Washington

## SPECIFICATIONS

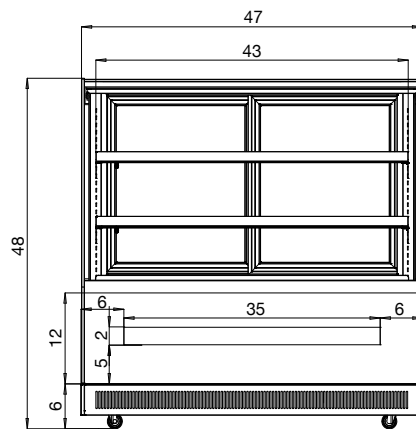
Models	Door	Capacity (Cu.Ft.)	Shelves	Casters (inch)	Amps (A)	Voltage (V/Hz/Ph)	HP	Refrigerant	Exterior Dimensions (inch)	Net Weight (lbs)	Gross Weight (lbs)
RDCS-35	2	10.9	2	2	5.5	120/60/1	1/4	R290	35 <sup>2/5</sup> ×29 <sup>1/2</sup> ×47 <sup>4/5</sup>	386	487
RDCS-48	2	15.1	2	2	6.2	120/60/1	1/4	R290	47 <sup>1/5</sup> ×29 <sup>1/2</sup> ×47 <sup>4/5</sup>	454	573
RDCS-60	2	20.2	2	2	11.5	120/60/1	1/2	R290	59×29 <sup>1/2</sup> ×47 <sup>4/5</sup>	540	670

## PLAN VIEW

**RDCS-35**



**RDCS-48**



**RDCS-60**

