

MODELS:

ATCM-36

36” Infrared Cheese Melter

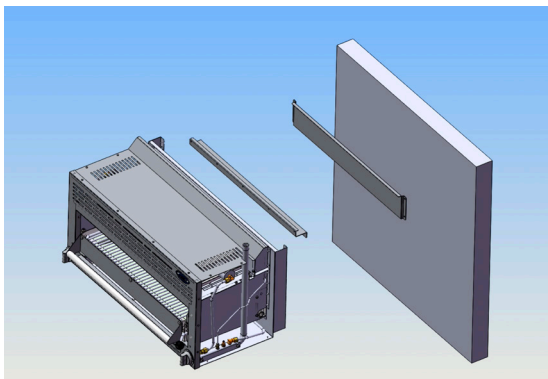
(Range Mount)

Standard Features

- Stainless steel exterior and interior
- Dual valve controls for left and right-side independent operation
- Two(2) 21,500 BTU high efficiency ceramic infrared burners and standby pilots – totals 43,000 BTU’s
- Removable broiler rack and crumb catcher
- Range mount kit ships with cheesemelter

Optional Accessories

- Wall mount kit 21208001048



1 YR WARRANTY ON ALL PARTS AND LABOR (US ONLY)



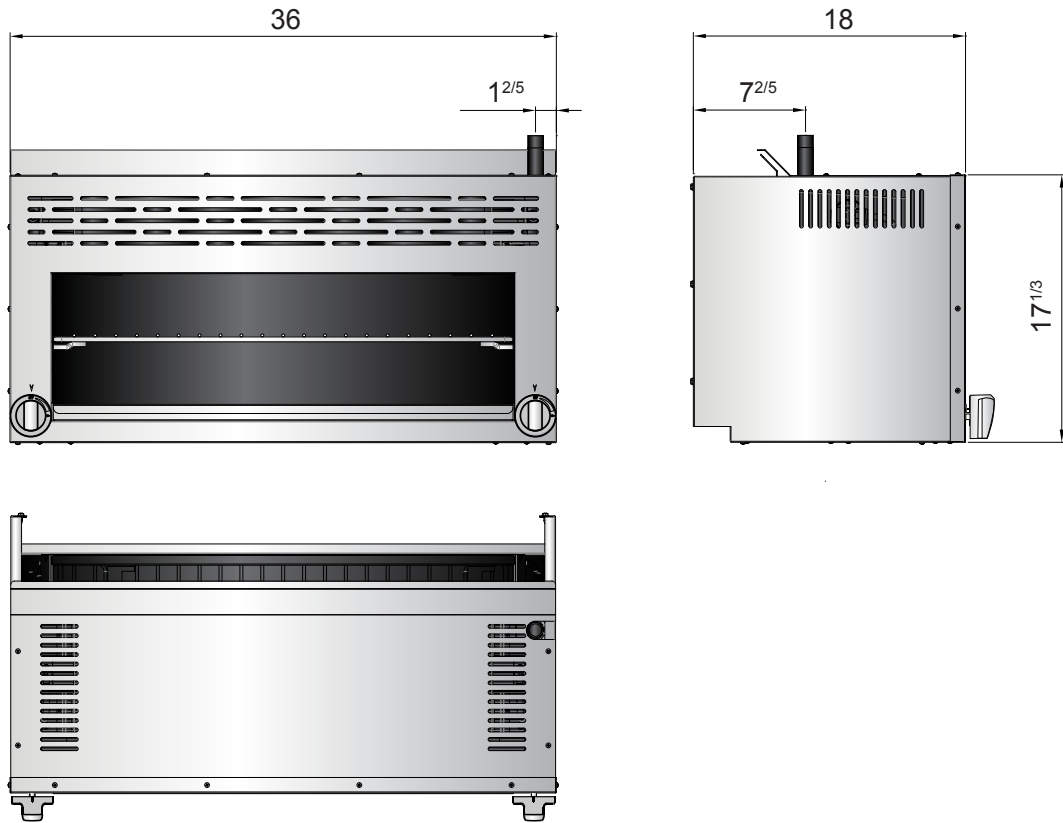
Conforms to ANSI
STD Z83.110-2009 (2011)
Certified to CSA
STD 1.3B-2009 (2011)
Conforms to NSF/ANSI STD.4



SPECIFICATIONS

Models	Burners and Control Method	Gas Type	Intake-Tube Pressure (in.W.C.)	Per BTU B.T.U./h	Total BTU B.T.U./h	Regulator	Exterior Dimensions (inch)	Net Weight (lbs)	Gross Weight (lbs)
ATCM-36	2 Burners Independent Manual Control	NG	5	21,500	43,000	5" w.c.	36×18×17 ^{1/3}	95	119
		LP	10	21,500	43,000	10" w.c.			

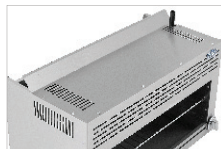
PLAN VIEW



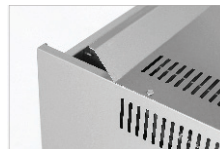
Stainless steel knobs



Stainless steel exterior



Wall mounts



Broiler rack

