

Counter Top Convection Ovens

MODELS:

CTCO-25 / CTCO-50 / CTCO-100

Standard Features

- Heavy duty exterior/interior stainless steel construction
- Reinforced door with with double pane tempered cool to touch glass
- Advanced air flow design for even baking
- 120 minute timer
- Manual controls with temperature settings from 100°F - 500°F
- Interior light
- Removable wire rack holder
- 1.1” legs for CTCO-25 & CTCO-50
- 0.8”-3.9” adjustable legs for CTCO-100
- Distance between oven racks is 1.85”
- Chrome oven racks

CTCO-25



CTCO-50



CTCO-100



1 YR WARRANTY ON ALL PARTS AND LABOR (US ONLY)



Conforms to ANSI
 STD Z83.110-2009 (2011)
 Certified to CSA
 STD 1.8B-2009 (2011)
 California to NSF/ANSI STD.4

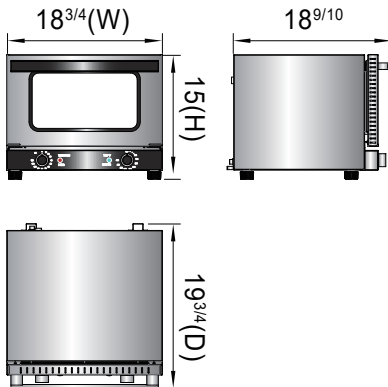


SPECIFICATIONS

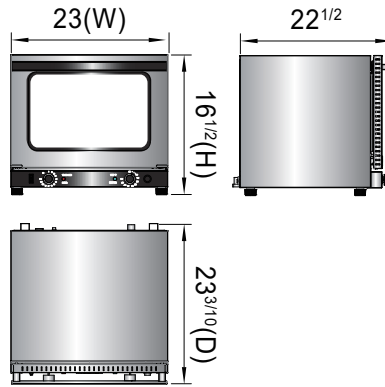
Models	Shelves	Oven Rack Dimensions (inch)	Interior Dimensions WxDxH”	Exterior Dimensions WxDxH”	Voltage (V/Hz/Ph)	Amps (A)	Watts (W)	Plug	Unit Weight (lbs)	Shipping Weight (lbs)
CTCO-25	3	13 ^{7/10} ”x11”	14 ^{1/10} ”x13”x8 ^{3/5} ”	18 ^{3/4} ”x19 ^{3/4} ”x15”	120/60/1	12	1440	NEMA-L5-15P	43	47.4
CTCO-50	4	18”x12 ^{4/5} ”	18 ^{2/5} ”x15 ^{3/5} ”x10”	23”x22 ^{1/2} ”x16 ^{1/2} ”	120/60/1	13	1550	NEMA-5-20P	55.1	61.7
CTCO-100	4	26”x17 ^{7/10} ”	27 ^{2/5} ”x19”x13 ^{1/2} ”	31 ^{13/16} ”x27 ^{3/32} ”x23 ^{5/32} ”	208-240/60/1	22	5450	NEMA-6-30P	102.3	108

PLAN VIEW

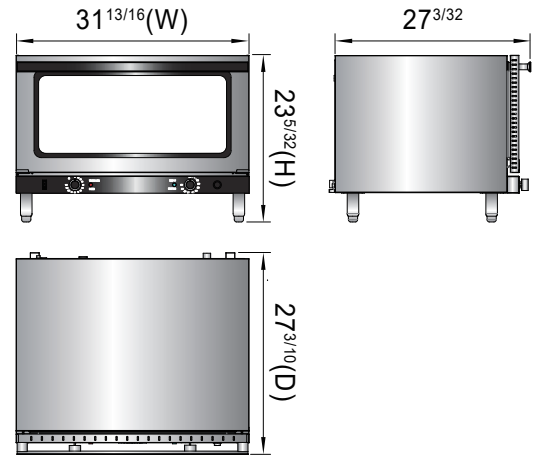
CTCO-25



CTCO-50



CTCO-100



Controls



Chrome Oven Racks

