



**“WE MAKE THE KITCHEN BETTER!”**

Toll Free: 855-855-0399 Email: [info@atosausa.com](mailto:info@atosausa.com)  
[www.atosa.com](http://www.atosa.com) | [www.atosausa.com](http://www.atosausa.com)  
 California, Colorado, Florida, Georgia, Illinois,  
 Massachusetts, New Jersey, Ohio, Texas, Washington

# Black Exterior Glass Door Freezer Merchandisers

## Standard Features

- Black steel exterior with stainless steel interior
- Maintains temperatures between -8°F – 0°F
- Lighted header panel
- LED interior lighting standard
- Digital controller
- Four(4) shelves standard per section
- Double pane glass door(s)
- Self-closing door(s) with automatic stay open feature
- Recessed door handle
- Door lock(s) standard
- Magnetic door gasket
- Self-contained bottom mount refrigeration system with environmentally friendly R290 refrigerant
- Pre-installed casters
- Pre-installed shelves

## Optional Accessories

- Extra shelves – includes 4 shelf clips per shelf  
 MCF8720GR - shelf part#: W0402394  
 MCF8732GR - shelf part#: W0402197  
 MCF8721ES - shelf part#: W0402395  
 MCF8728GR - shelf part#: W0402395  
 W0402396 (Middle)

For the best results of food preservation we recommend setting your freezer between -8 °F to 0 °F

1. Don't forget to leave the unit some room to breathe!
2. Please clean the condenser frequently to give the unit more fresh air.



2 YEAR PARTS AND LABOR WARRANTY (US ONLY)  
 5 YEAR COMPRESSOR PART WARRANTY (US ONLY)

## MODELS:

MCF8720GR / MCF8732GR / MCF8721ES / MCF8728GR



MCF8720GR



MCF8728GR



MCF8721ES



MCF8732GR

Model #	Lighted header panel overall dimensions	Lighted header panel visual dimensions
MCF8720GR	26 <sup>5/8</sup> ×9	25 <sup>1/2</sup> ×8
MCF8732GR	39 <sup>1/2</sup> ” x 9 <sup>3/10</sup> ”	39 <sup>1/10</sup> ” x 9 <sup>3/50</sup> ”
MCF8721ES	54×9	53×8
MCF8728GR	81 <sup>3/8</sup> ×9	80 <sup>1/2</sup> ×8



MCF8721ES



\*For confirmation and updates on the latest energy star models, please visit [energystar.gov](http://energystar.gov)\*



**"WE MAKE THE KITCHEN BETTER!"**

Toll Free: 855-855-0399 Email: info@atosausa.com

www.atosa.com | www.atosausa.com

California, Colorado, Florida, Georgia, Illinois, Massachusetts, New Jersey, Ohio, Texas, Washington

## SPECIFICATIONS

Models	Door	Capacity (Cu.Ft.)	Shelves	Casters (inch)	Amps (A)	Voltage (V/Hz/Ph)	HP	Refrigerant	Exterior Dimensions (inch)	Net Weight (lbs)	Gross Weight (lbs)
MCF8720GR	1	19.4	4	2	2.1	115/60/1	1/2	R290	27×31 <sup>1/2</sup> ×81 <sup>1/5</sup>	309	340
MCF8732GR	2	28.5	8	2	8.6	115/60/1	3/4	R290	39 <sup>1/2</sup> ×31 <sup>1/2</sup> ×81 <sup>1/5</sup>	392	443
MCF8721ES	2	43.8	8	2	8.6	115/60/1	3/4	R290	54 <sup>2/5</sup> ×31 <sup>1/2</sup> ×81 <sup>1/5</sup>	498	558
MCF8728GR	3	68	12	2	6.2	208-230V /115/60/1	1	R290	81 <sup>9/10</sup> ×31 <sup>1/2</sup> ×81 <sup>1/5</sup>	673	781

## PLAN VIEW

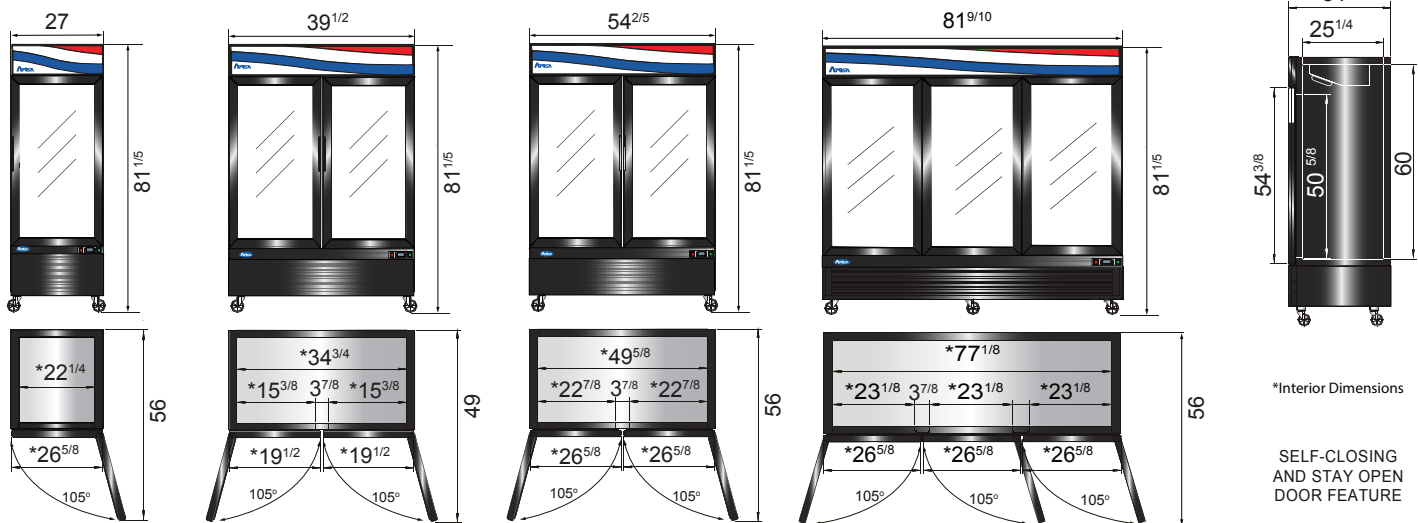
MCF8720GR

MCF8732GR

MCF8721ES

MCF8728GR

Side View



Casters

Temperature control

Door lock

LED lights

Epoxy shelves



MCF8728GR

MCF8720GR  
MCF8732GR  
MCF8721ES

