



Outperform every day.™

Project:  
Item Number:  
Quantity:

## COUNTERTOP MIXERS



7 Quart



10 Quart

### DESCRIPTION

Vollrath's countertop mixers are designed specifically for small commercial mixing applications. These compact tabletop mixers are small enough to fit into any kitchen yet robust enough for continuous use.

### ITEMS

Item No.	Model No.	Description
40755	MIX1007	Countertop Mixer, 7 Quart (US and Canada)
40756	MIX1010	Countertop Mixer, 10 Quart (US and Canada)

### FEATURES

- Commercial grade countertop model
- Comes standard with dough hook, wire whisk, flat beater, stainless steel mixing bowl and safety guard
- Five-speed direct drive transmission
- Digital control panel to make easy speed shifts while unit is running
- 0-30 minute digital timer stops the mixer when timer ends
- Compact and lighter weight design for smaller footprint, easier cleaning, and portability
- Non-skid rubber base
- 6 ft. (1.8 m) cord with plug

### AGENCY LISTINGS



Due to continued product improvement, please consult [www.vollrath.com](http://www.vollrath.com) for current product specifications.

### WARRANTY

The warranty period is 2 years on parts, 1 year on labor and 5 years on belts. For full warranty details, please refer to [www.Vollrath.com](http://www.Vollrath.com).

Approvals	Date



Outperform every day.™

[www.vollrath.com](http://www.vollrath.com)

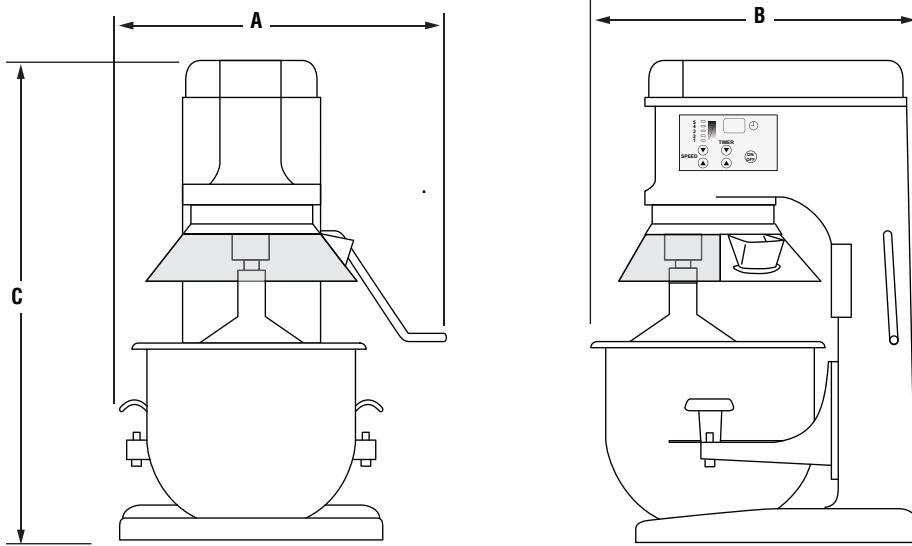
### The Vollrath Company, L.L.C.

1236 North 18th Street  
Sheboygan, WI 53081-3201 U.S.A.  
Main Tel: 800.624.2051 or 920.457.4851  
Main Fax: 800.752.5620 or 920.459.6573  
Customer Service: 800.628.0830  
Canada Customer Service: 800.695.8560

Technical Services  
[techservicereps@vollrathco.com](mailto:techservicereps@vollrathco.com)  
Induction Products: 800.825.6036  
Countertop Warming Products: 800.354.1970  
All Other Products: 800.628.0832

# COUNTERTOP MIXERS

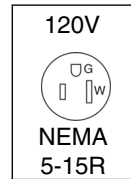
## DIMENSIONS (Shown in inches (cm))



## SPECIFICATIONS

Item No.	Capacity	Dimensions			Transmission	HP	Voltage	Amps	Hz	Plug
		(A) Width	(B) Depth	(C) Height						
40755	7 Qt.	13 1/8 (33.3)	17 3/4 (45.1)	20 1/4 (51.4)	5 speed	1/3	110-120	6	60	NEMA 5-15P
40756	10 Qt.	13 1/16 (33.2)	17 11/16 (44.9)	21 3/16 (53.8)						

### Receptacle



Outperform every day.™

[www.vollrath.com](http://www.vollrath.com)

### The Vollrath Company, L.L.C.

1236 North 18th Street  
 Sheboygan, WI 53081-3201 U.S.A.  
 Main Tel: 800.624.2051 or 920.457.4851  
 Main Fax: 800.752.5620 or 920.459.6573  
 Customer Service: 800.628.0830  
 Canada Customer Service: 800.695.8560

Technical Services  
[techservices@vollrathco.com](mailto:techservices@vollrathco.com)  
 Induction Products: 800.825.6036  
 Countertop Warming Products: 800.354.1970  
 All Other Products: 800.628.0832